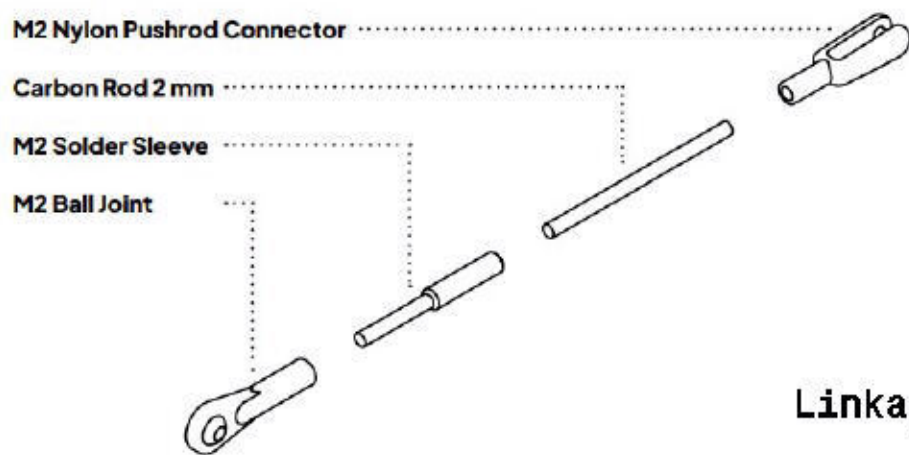
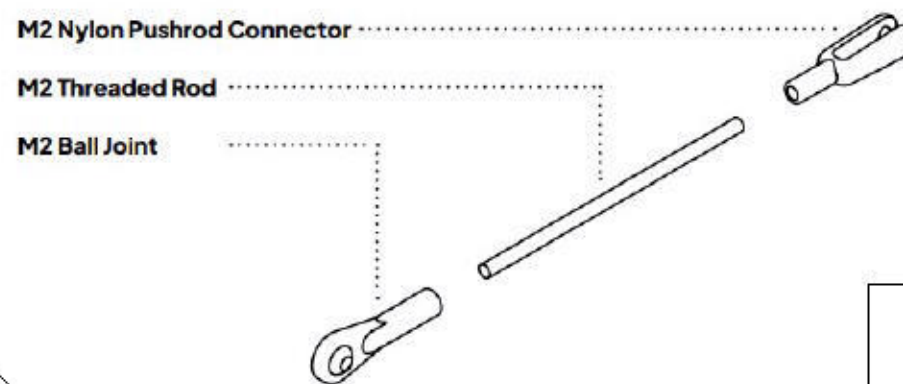


Example 1



Example 2



Linkages 5

ITEM	NAME	CATEGORY
1	Fuselage_F1	B2-LW
2	Fuselage_F1_Analogue	B2-LW
3	Fuselage_F1_Dual_Antenna	B2-LW
4	Fuselage_F2	B2-LW
5	Fuselage_F2_Analogue	B2-LW
6	Fuselage_F2_Analogue_LED	B2-LW
7	Fuselage_F2_LED	B2-LW
8	Canopy_C1	B2-LW
9	Canopy_C2	B2-LW
10	Wing_L1	B2-LW
11	Wing_R1	B2-LW
12	Wing_L2	B2-LW
13	Wing_R2	B2-LW
14	Wing_L3	B2-LW
15	Wing_R3	B2-LW
16	Elevon_L1	B2-LW
17	Elevon_R1	B2-LW
18	Control_Arm_L	C
19	Control_Arm_R	C
20	Elevon_L2	B2-LW
21	Elevon_R2	B2-LW
22	LED_Cover_V1_L	C
23	LED_Cover_V1_R	C
24	LED_Cover_V2_L	C
25	LED_Cover_V2_R	C
26	Antenna_Mount_L	C
27	Antenna_Mount_R	C
28	Servocover_L	C
29	Servocover_R	C
30	Servo_Mount_L	C
31	Servo_Mount_R	C
32	Battery_Mount	C
33	Landing_Rail_L	C
34	Landing_Rail_R	C
35	Motor_Mount	C
36	Motor_Mount_Outside	C
37	Stabilizer_L1	B2-LW
38	Stabilizer_R1	B2-LW
39	Stabilizer_L2	B2-LW
40	Stabilizer_R2	B2-LW
41	Stabilizer_L3	C
42	Stabilizer_R3	C
43	Canopy_Lock	C
44	Alignment_Tab	C
45	VTX_Mount_30,5mm	C
46	VTX_Mount_25mm	C
47	VTX_Mount_20mm	C
48	Camera_Mount_14mm	C
49	Camera_Mount_17mm	C
50	Camera_Mount_18mm	C
51	Camera_Mount_19mm_Walksnail	C

PRINTING PARAMETER	CATEGORY	
	B2-LW	C
Layer height (mm)	0,25	0,13
Bottom layers	4	4
Top layers	0	6
Wall lines / perimeter	1	2
Nozzle diameter (mm)	0,4	0,4
Material	LW-PLA	PLA/PETG FLEX/ABS
Infill density (%)	0	10
Printing temp (°C)	235	205 to 240
Bed temp (°C)	60	60
Spiralize Outer Contour / vase mode	YES	NO
Flow (%)	53	100
Retraction (mm)	0,5 to 3	3
Retraction extra prime amount (mm)	0 to 0,7	0
Speed (mm/s)	55	25 to 50
Fan	YES	YES
Brim (mm)	3 to 5	0 to 3
Minimum layer time (s)	5	5
Support	NO	NO

5 Short levers of control arms experience greater stress, thus it is recommended a thicker, high quality linkage to ensure precise function and performance. To achieve this, it is recommended to use one of the provided examples

4 Use layer height of 0,15 mm and remove bottom layers

3 If your motor reach temperatures over 50 °C use ABS or PETG for "Motor_mount"

2-Center of gravity marking under the wing.

1- Red parameters are mandatory to ensure airplane functionality, assembly or weight target.